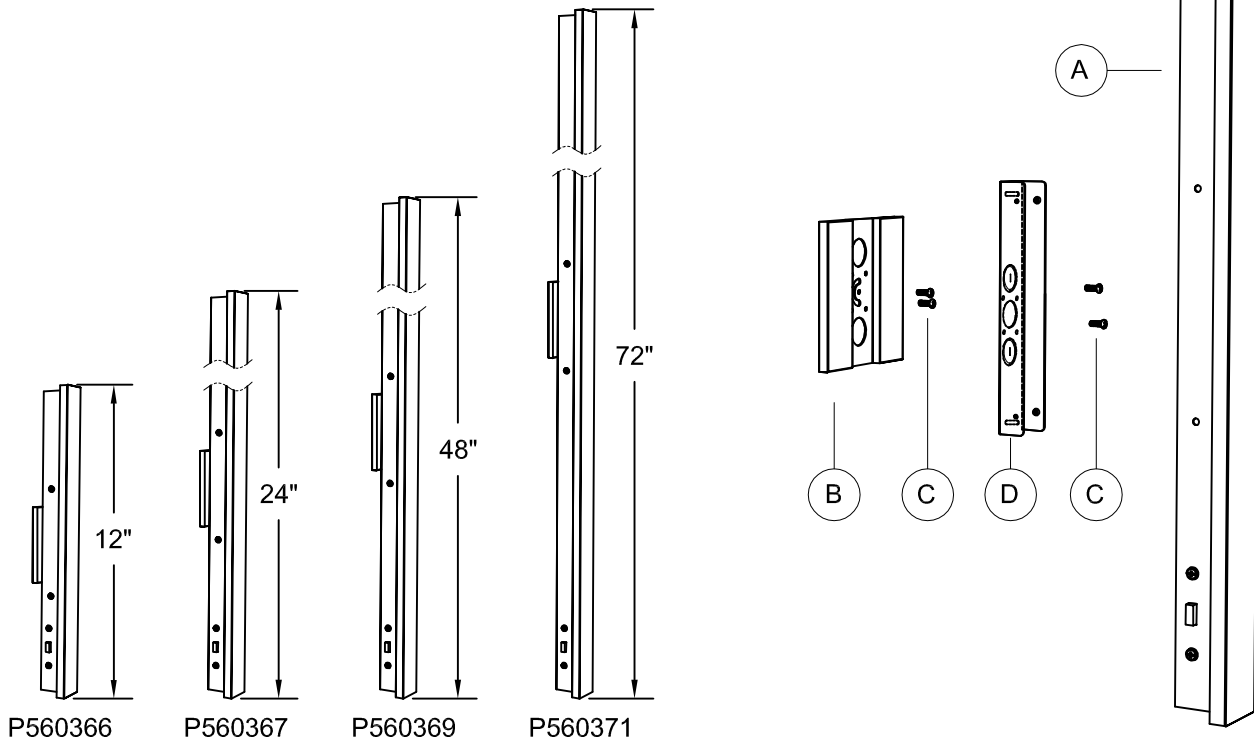
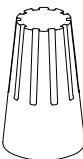
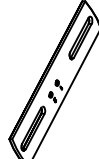


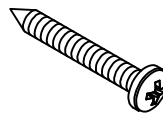



PACKAGE CONTENTS

| PART | DESCRIPTION | QUANTITY | | | |
|------|----------------|----------|---------|---------|---------|
| | | P560366 | P560367 | P560369 | P560371 |
| A | Fixture | 1 | 1 | 1 | 1 |
| B | Canopy | 1 | 1 | 1 | 1 |
| C | Pan head screw | 4 | 4 | 4 | 4 |
| D | Bracket | 1 | 1 | 1 | 1 |



HARDWARE CONTENTS (not actual size)

| | | | | | |
|---|---|---|---|--|---|
| AA | BB | CC | DD | EE | FF |
|  |  |  |  |  |  |
| Wire connector | Mounting strap | Screw | Rubber Gasket | Pan Head Self Tapping Screw | Wall Anchors |
| Qty:3 | Qty:1 | Qty:4 | Qty:4 | Qty:2 | Qty:2 |

THANK YOU for selecting Progress Lighting

We can assist you with questions regarding product information, assembly or missing parts



800-447-0573

8am-8pm (Eastern), Monday-Friday



customerservice@progresslighting.com



Safety Information

Please read and understand this entire manual before attempting to assemble, operate or install the product.

CAUTION: Read instructions carefully and turn electricity off at main circuit breaker panel before beginning installation.

CAUTION: Risk of fire. Min. 90°C supply conductors. Consult a qualified electrician to ensure correct branch circuit conductor.

WARNING: If any Special Control Devices are used with this fixture, follow instructions carefully to assure full compliance with N.E.C. requirements. If there are any questions, contact a qualified electrical contractor.

CAUTION: All glass is fragile. Use care when handling glass shades and bulbs.

THIS PRODUCT MUST BE INSTALLED BY A PERSON FAMILIAR WITH THE CONSTRUCTION AND OPERATION OF THE PRODUCT AND THE HAZARDS INVOLVED, IN ACCORDANCE WITH THE APPLICABLE INSTALLATION CODE.

KEEP THESE INSTALLATION INSTRUCTIONS

WARNING - To comply with the National Electrical Code and Underwriters Laboratories requirements, when installed outdoors, or in wet locations, the edge of the wall plate coming in contact with the mounting surface, must be sealed with an outdoor rated waterproof caulking to prevent water from entering the outlet box.

Preparation

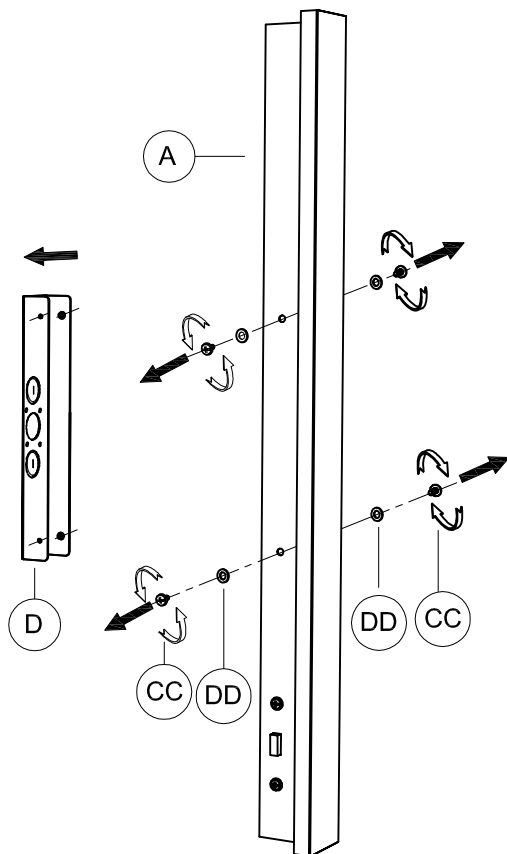
1. Before beginning installation, make sure all parts are included using the contents diagrams from page 1. If any part is missing or damaged, do not attempt to assemble, install or operate the product.
2. Estimated assembly time: 30 minutes.
3. Tools required for assembly (not included): Screwdriver, pliers, wire stripper, safety glasses, electrical tape, ladder, drill.

Care and Maintenance

Shut off main power supply before cleaning product or changing light bulbs. To clean, wipe with damp cloth. Do not use abrasive cleaners or cleaners that contain alcohol.

Assembly Instructions

1

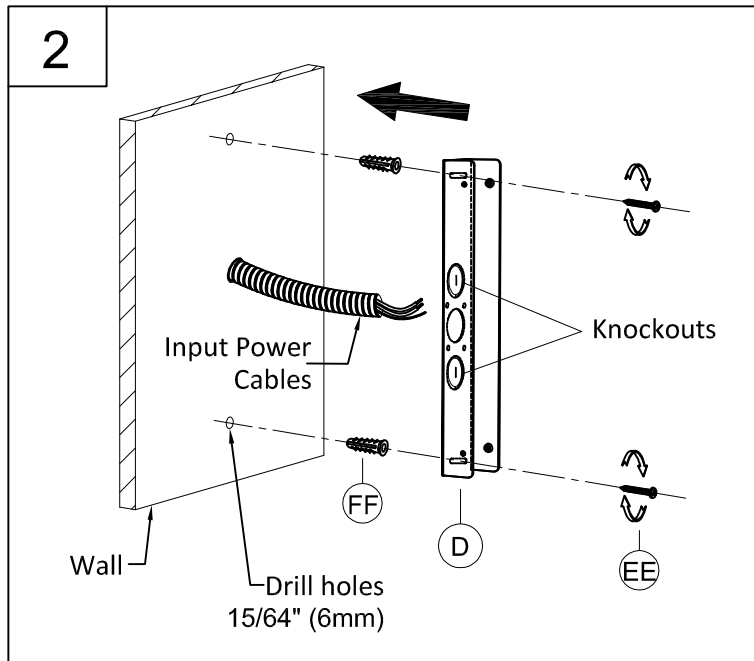


1. Remove the 4 screws (CC) and 4 rubber gaskets (DD) from the edge of the fixture (A). Then separate the bracket (D) from the fixture (A). (make sure to keep track of the screws (CC) and rubber gaskets (DD))

NOTE

THERE ARE TWO INSTALLATION OPTIONS.. WITH OR WITHOUT THE CANOPY. IF YOU WOULD LIKE TO INSTALL WITHOUT THE CANOPY, PROCEED TO "INSTALLATION OPTION 1" AT THE START OF PAGE 2. IF YOU WOULD LIKE TO INSTALL WITH THE CANOPY, THEN PROCEED TO "INSTALLATION OPTION 2" IN THE MIDDLE OF PAGE 3.

Installation Option 1 – Without the Canopy



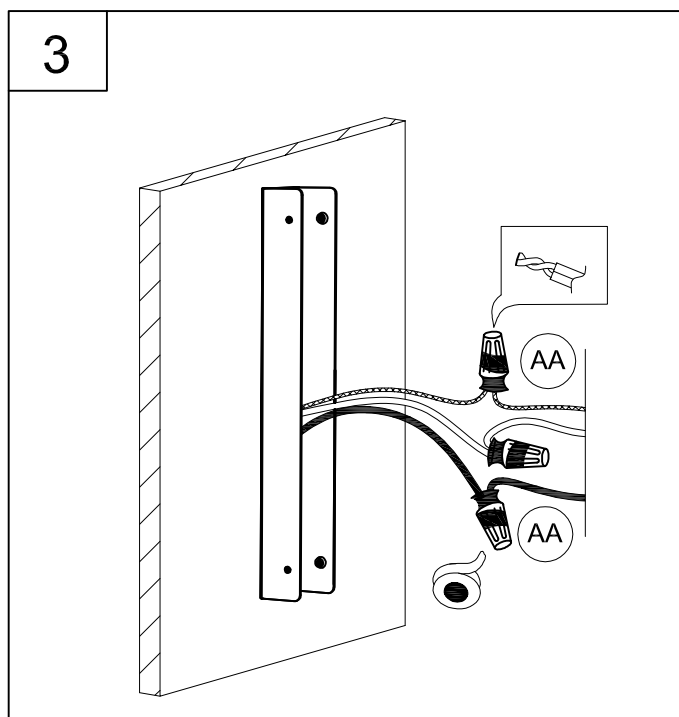
2. Place the bracket (D) onto the wall, and mark the position of the screw holes on the wall. Ensure that the bracket (D) is vertical.

Use a 15/64 inch drill bit to drill pilot holes at the locations marked and insert the wall anchors (FF). Before installing the bracket (D), use a flathead screwdriver to remove a knockout from the bracket. Thread the power supply wires through the knockout hole in the bracket.

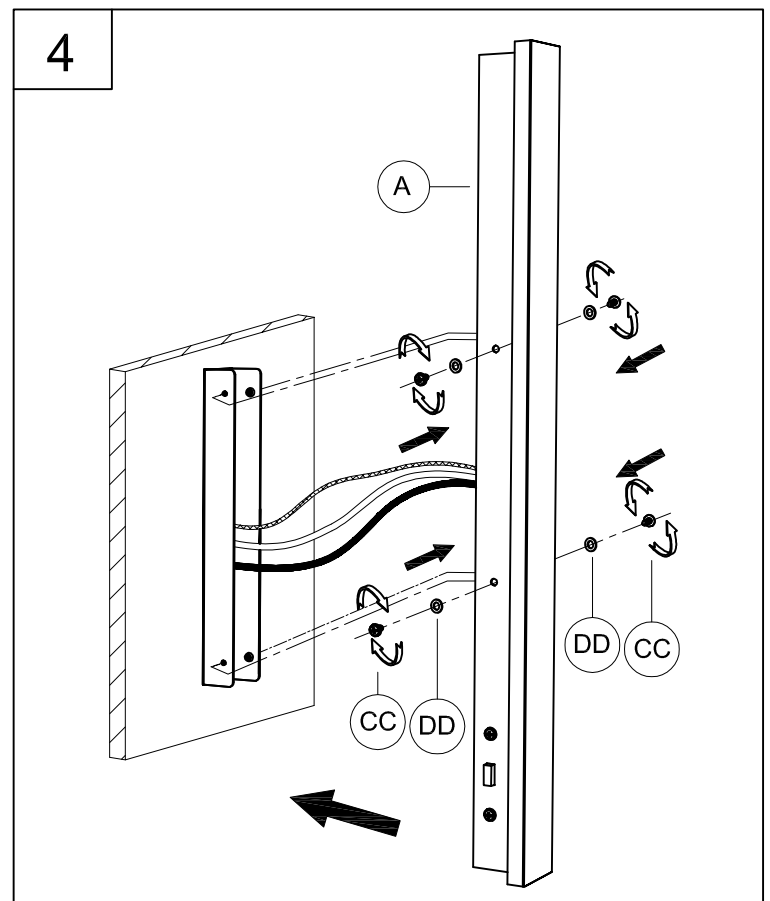
Insert the 2 pan head self tapping screws (EE) through the bracket (D) and into the two wall anchors (FF).

3. Strip 3/8" of insulation from the electrical wire ends. Using wire connectors (AA), connect the WHITE fixture wire to the WHITE supply wire from the outlet box; connect the BLACK fixture wire to the BLACK supply wire from the outlet box.

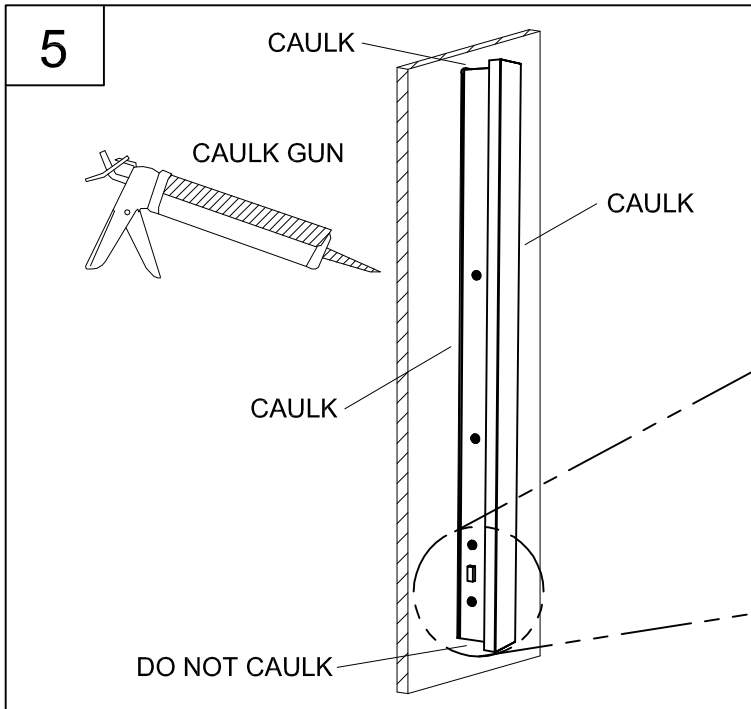
Connect the fixture ground wire and supply ground wire using a wire connector. Push all of the wire connections carefully into the outlet box.



4. Re-install the fixture (A) to the bracket (D) and screw back down the 4 rubber gaskets (DD) and 4 screws (CC), secure tightly.

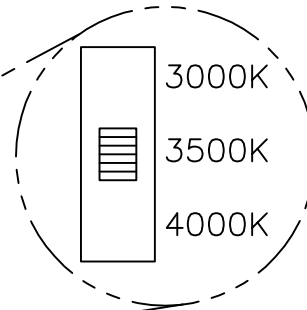


Assembly Instructions



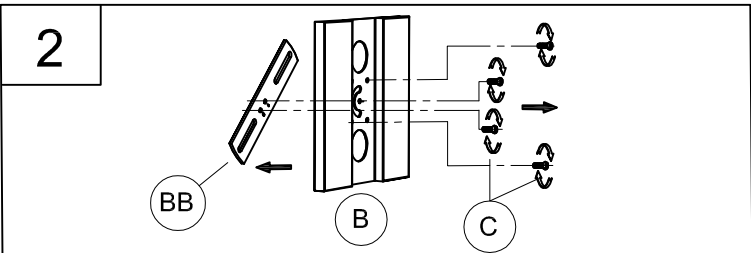
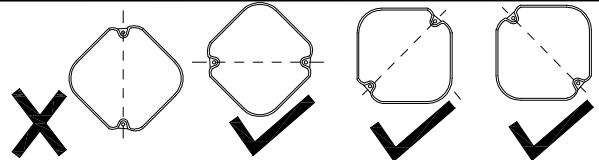
5. Caulk fixture with an outdoor rated waterproof caulk where fixture meets mounting surface on top and down both sides to provide a watertight seal. Do not seal the bottom.

Finally, select your desired color temperature setting with the CCT switch.

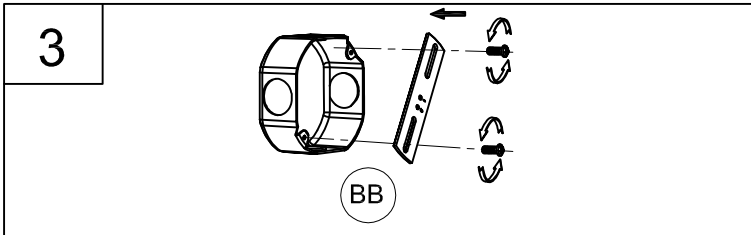


Installation Option 2 – With the Canopy

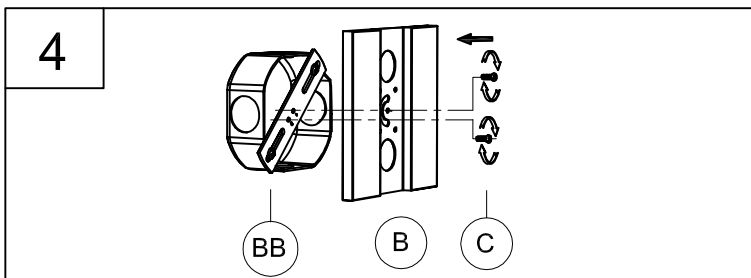
****NOTE**:** Before installing with the canopy, make sure that the outlet box mounting holes are orientated either horizontally or diagonally. If the outlet box mounting holes are orientated vertically, then the box will need to be rotated.



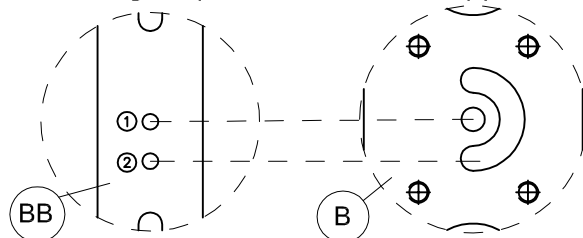
2. Remove the four screws (C) to separate the mounting strap (BB) from the canopy (B). (make sure keep track of the four screws (C) for use later)



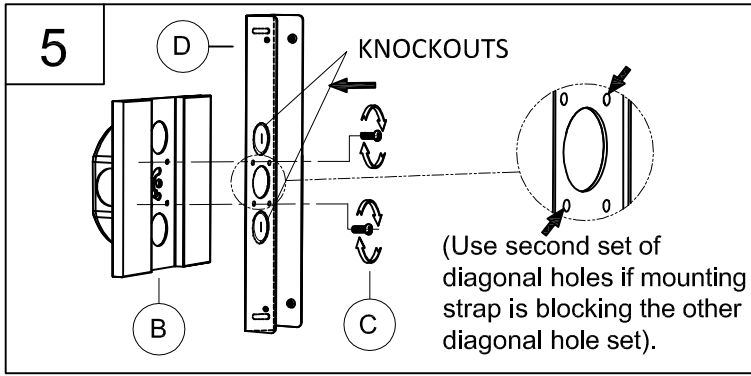
3. Attach the mounting strap (BB) to the outlet box using the mounting screws supplied with the outlet box (not provided). Tighten securely.



4. Install the canopy (B) back onto mounting strap (BB), use the two screws (C) from step 2. Make sure to align the mounting strap 1 hole with the canopy center hole.

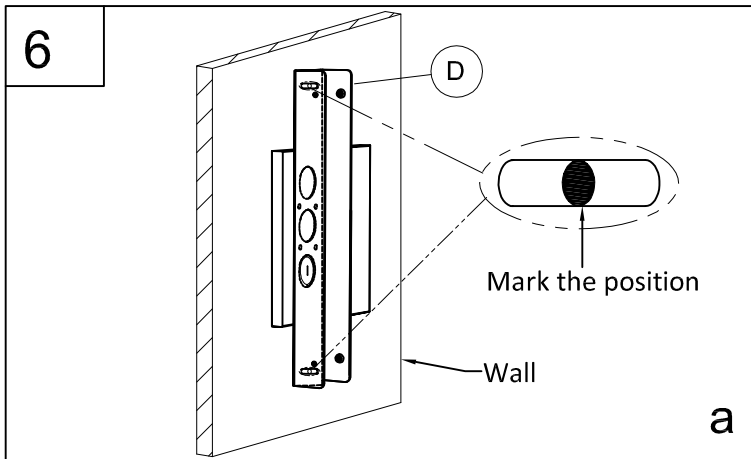


Assembly Instructions

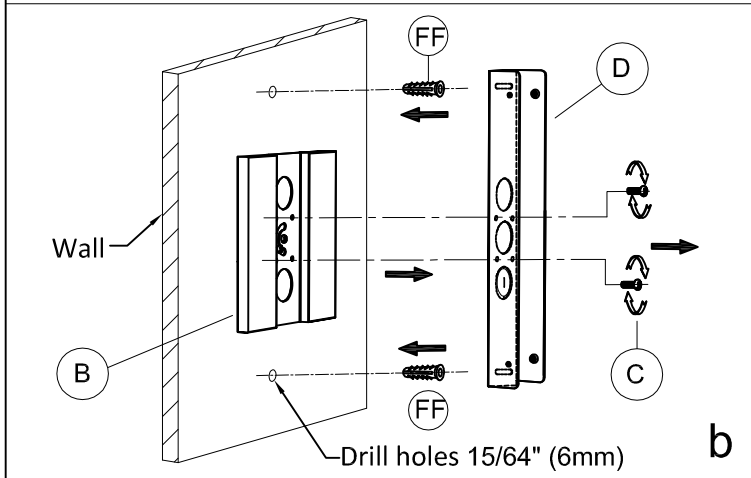


5. Before installing the bracket (D), use a flathead screwdriver to remove a knockout from the bracket. Thread the power supply wire through the knockout hole in the bracket.

Install the bracket (D) to the canopy (B) using the other two screws (C) from step 2. Secure tightly.

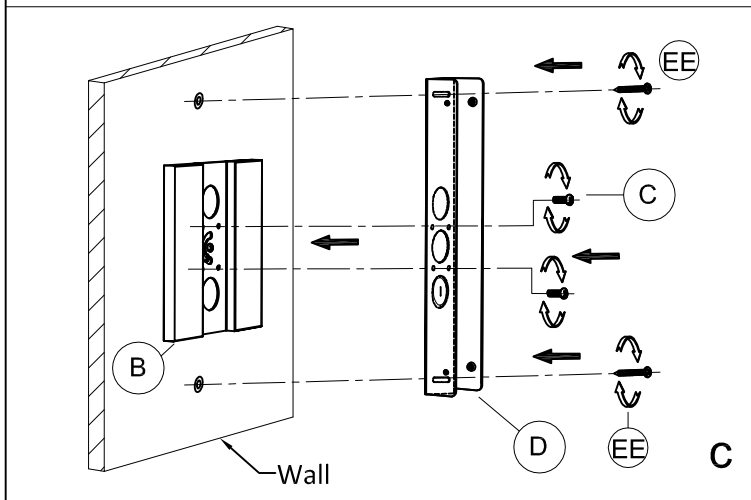


6. Mark the position of the screw holes through the bracket (D) on the wall. Ensure that the bracket (D) is vertical.



Remove the two screws (C) and separate the bracket (D) from the canopy (B).

Use a 15/64 inch drill bit to drill pilot holes at the locations marked and insert the wall anchors (FF).

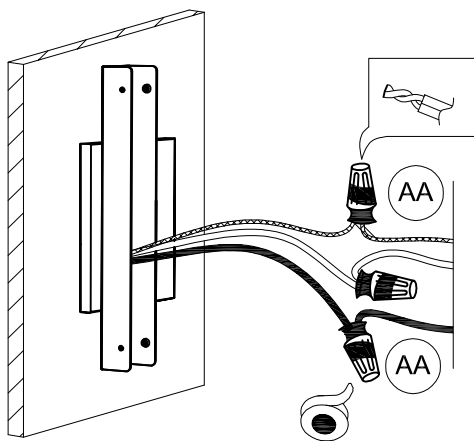


Re-install the bracket (D) to the canopy (B) using the screws (C) to tighten securely.

Insert the 2 pan head self tapping screws (EE) through the bracket (D) and into the two wall anchors (FF).

Assembly Instructions

7

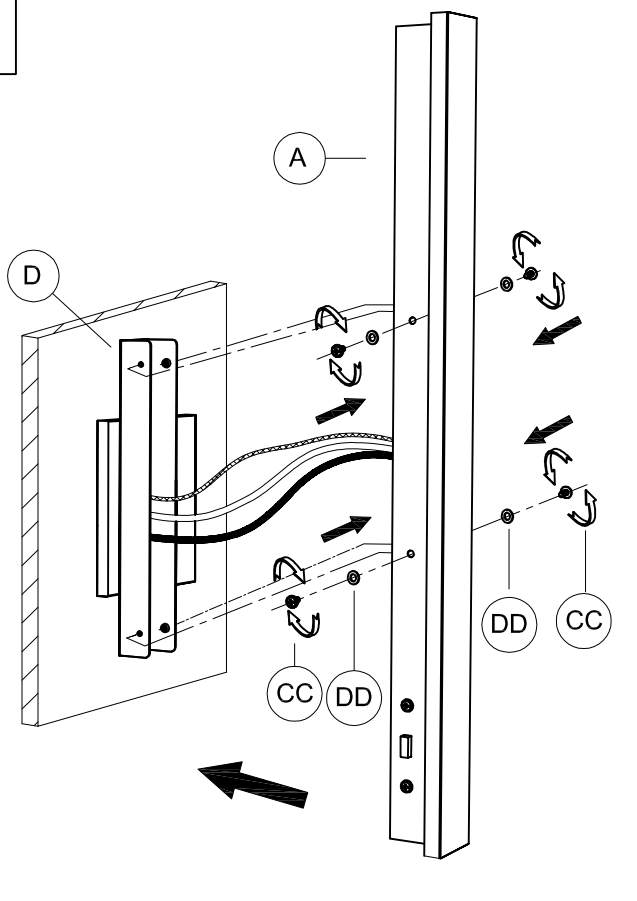


7. Strip 3/8" of insulation from the electrical wire ends. Using wire connectors (AA), connect the WHITE fixture wire to the WHITE supply wire from the outlet box; connect the BLACK fixture wire to the BLACK supply wire from the outlet box.

Connect the fixture ground wire and supply ground wire using a wire connector. Push all of the wire connections carefully into the outlet box.

8. Re-install the fixture (A) to the canopy (D), use the 4 rubber gaskets (DD) and 4 screws (CC) removed from step 1. Tighten securely.

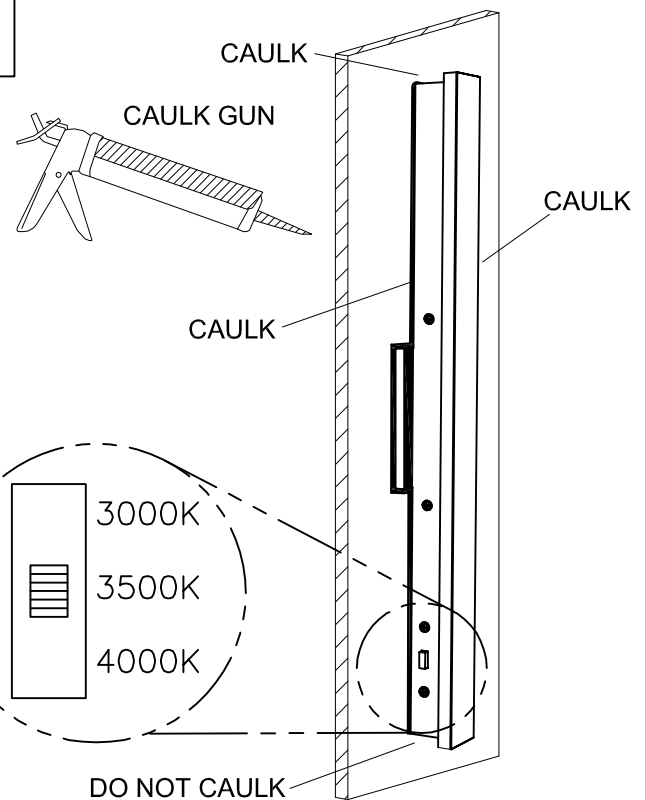
8



9. Caulk fixture with an outdoor rated waterproof caulk where fixture meets mounting surface on top and down both sides to provide a watertight seal. Do not seal the bottom.

Finally, select your desired color temperature setting with the CCT switch.

9



This equipment has been tested and found to comply with the limits for a Class B digital device, pursuant to part 15 of the FCC Rules. These limits are designed to provide reasonable protection against harmful interference in a residential installation. This equipment generates, uses and can radiate radio frequency energy and, if not installed and used in accordance with the instructions, may cause harmful interference to radio communications. However, there is no guarantee that interference will not occur in a particular installation. If this equipment does cause harmful interference to radio or television reception, which can be determined by turning the equipment off and on, the user is encouraged to try to correct the interference by one or more of the following measures:

- Reorient or relocate the receiving antenna.
- Increase the separation between the equipment and receiver.
- Connect the equipment into an outlet on a circuit different from that to which the receiver is connected
- Consult the dealer or an experienced radio/TV technician for help.

Any changes or modifications to this unit not expressly approved by the party responsible for compliance could void the user's authority to operate the equipment.

Instructions d'Assemblage et Installation

Mise en garde: Lire les instructions avec soin et couper le courant au disjoncteur central avant de commencer l'installation.

MISE EN GARDE: Lire les instructions avec soin et couper le courant au disjoncteur central avant de commencer l'installation.
MISE EN GARDE: Risque d'incendie. Min 90°C conducteurs d'alimentation. Consulter un électricien qualifié pour assurer le bon conducteur de circuit de dérivation.

AVERTISSEMENT - S'il y a d'autres mécanismes régulateurs qui s'emploient avec ce dispositif, suivre soigneusement les instructions pour satisfaire aux exigences NEC. Si vous avez des questions, consulter un électricien qualifié.

MISE EN GARDE - Le verre est toujours fragile; maniez le(s) composant(s) et/ou l' (les) ampoule(s) avec prudence.

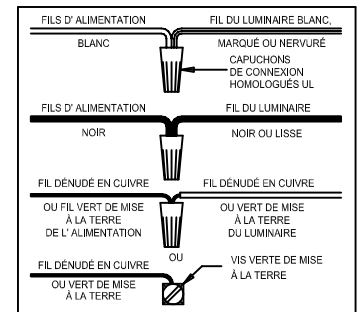
CE PRODUIT DOIT ÊTRE INSTALLÉ SELON LE CODE D'INSTALLATION PERTINENT, PAR UNE PERSONNE QUI CONNAÎT BIEN LE PRODUIT ET SON FONCTIONNEMENT AINSI QUE LES RISQUES INHÉRENTS.

CONSERVEZ CES INSTRUCTIONS D'INSTALLATION

AVERTISSEMENT: Quant aux installations à l'extérieur ou aux endroits humides et afin d'accéder aux exigences du Code National de l'Électricité autant que les Laboratoires Underwriters, il faut que le bord de la plaque murale qui touche la surface de montage soit enduit d'un mastic de latex hermétique pour éviter que l'eau pénètre dans le boîtier de la prise de courant.

REMARQUE: Cet équipement a été testé et jugé conforme aux limites portant sur des appareils numériques de classe B, en vertu de l'article 15 des règles de la FCC. Ces limites sont conçues pour fournir une protection raisonnable contre l'interférence préjudiciable dans une installation résidentielle. Cet équipement génère, utilise et peut émettre de l'énergie en radio fréquence et, s'il n'est pas installé ni utilise conformément aux instructions, il peut causer des interférences préjudiciables aux communications radio. Cependant, il n'est pas garanti que des interférences ne se produiront pas dans une installation particulière. Si cet équipement cause une interférence préjudiciable à la réception des postes de radio ou de télévision, ce qui peut être déterminé en allumant et en éteignant l'appareil, il est conseillé à l'utilisateur d'essayer de corriger l'interférence en appliquant une ou plusieurs des mesures suivantes:

- Réorientez ou déplacez l'antenne de réception
 - Accroissez la distance entre l'équipement et l'appareil de réception
 - Branchez l'équipement dans une prise dont le circuit n'est pas le même que celui sur lequel l'appareil de réception est branché
 - Consultez le fournisseur ou un technicien spécialisé en radio/TV pour une assistance
- REMARQUE: Tout changement ou modification apporté à cet appareil non expressément approuvé par la partie responsable de la conformité pourrait annuler le droit de l'utilisateur à utiliser l'équipement.



Instrucciones de ensamblaje e instalación

Precaución: Lea cuidadosamente las instrucciones y desconecte la electricidad del cortacircuitos principal antes de iniciar la instalación.

PRECAUCIÓN: Lea cuidadosamente las instrucciones y desconecte la electricidad del cortacircuitos principal antes de iniciar la instalación.

PRECAUCIÓN: Riesgo de fuego. Min. 90°C los cables de suministro. Consulte a un electricista calificado para asegurarse de que el conductor del circuito derivado correcto.

ADVERTENCIA - Si usa algún dispositivo especial de control con este aparato de luz, siga las instrucciones cuidadosamente para asegurar la completa conformidad con los requisitos N.E.C. Si existe alguna duda, contacte un electricista calificado.

PRECAUCION - El vidrio es frágil; tenga cuidado al manipular el (los) elemento(s) de vidrio y/o la(s) bombilla(s).

ESTE PRODUCTOR DEBE SER INSTALADO SEGUN EL CODIGO DE INSTALACION APLICABLE POR UNA PERSONA QUE CONOZCA LA CONSTUSSION Y EL FUNCIONAMIENTO DEL PRODUCTO Y LOS RIESGOS QUE SUPONE.

GUARDE ESTAS INSTRUCCIONES DE INSTALACIÓN

ADVERTENCIA: Cuando la instalación se efectúe al exterior o en sitios húmedos para cumplir con las exigencias del Código Nacional de Electricidad y los Laboratorios Underwriters, el borde de la placa de pared que está en contacto con la superficie de montaje debe ser sellado con una masilla látex a prueba de agua para que la caja de conexiones no se moje por dentro.

NOTA: Este equipo ha sido probado y cumple con los límites para un dispositivo digital Clase B, según la Parte 15 de las Reglas de FCC. Estos límites están concebidos para ofrecer protección razonable contra la interferencia dañina en instalación residencial. Este equipo genera, usa y puede irradiar energía de radio frecuencia; si no se instala y usa de acuerdo con las instrucciones, puede causar interferencia dañina a comunicaciones radiales. Sin embargo, no hay garantía de que no ocurrirá interferencia en una instalación particular. Si este equipo causa interferencia perjudicial a la recepción de radio o televisión, lo cual puede determinarse encendiendo y apagando el equipo, se exhorta al usuario a tartar de corregir la interferencia tomando una o más de las siguientes medidas:

- Reorientar o reubicar la antena receptora
- Aumentar la distancia entre el equipo y el receptor
- Conectar el equipo a un tomacorriente en un circuito diferente al que está conectado el receptor
- Consultar al distribuidor o a un técnico con experiencia en instalaciones de radio/TV

NOTA: Cualquier cambio o modificación a esta unidad no aprobado expresamente por la parte responsable del cumplimiento podría anular la autoridad del usuario para operar el equipo.

